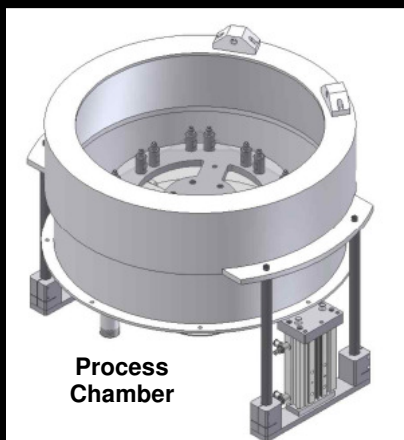
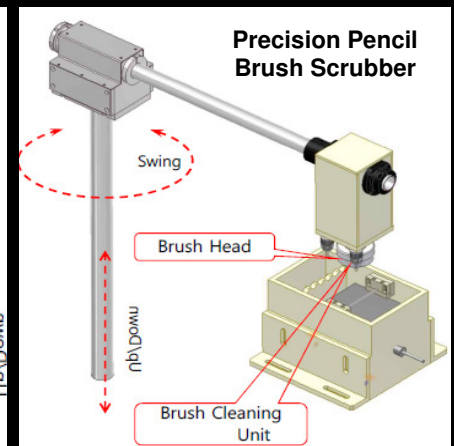
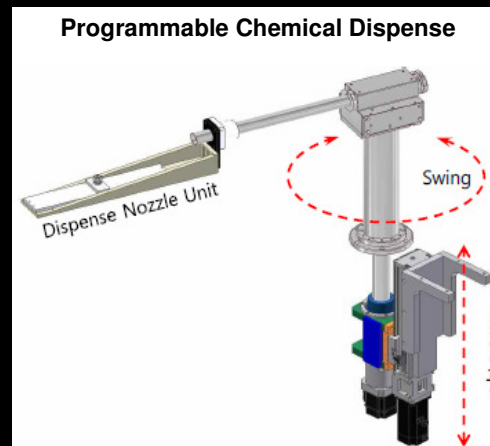
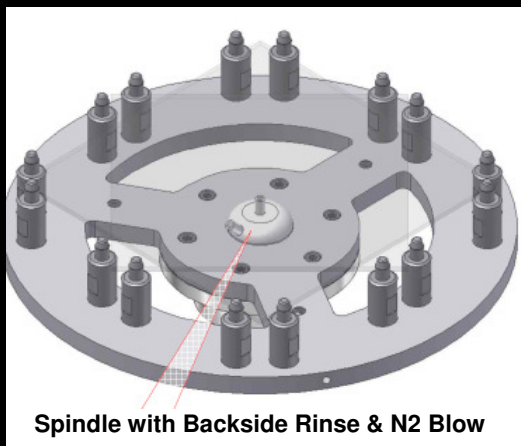
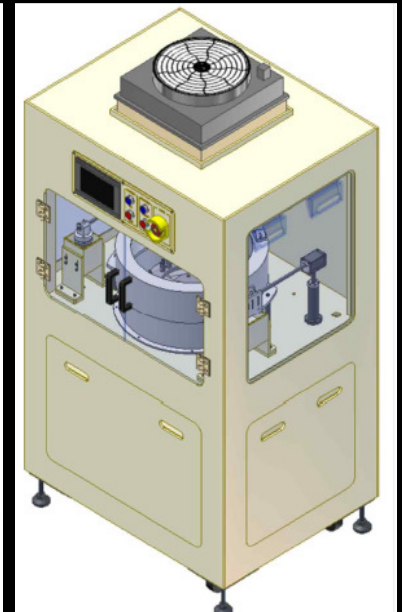
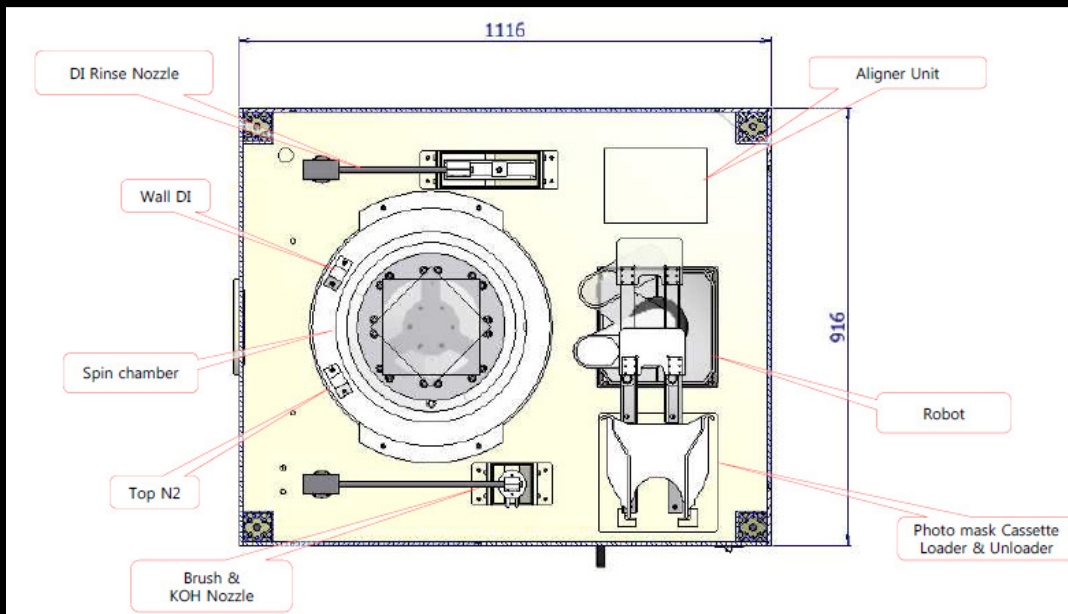


Area Representative:
Bud Rogers
 (214) 592-0039
 bud-rogers@tx.rr.com

Photomask Spin Cleaner

www.reticlestorage.com

Single substrate spin cleaners are equipped with chemical dispense, pressure spray, meg, brush scrub, and N2 dry



Compatible with most cleaning chemistries, these are versatile and inexpensive solutions for single substrate cleaning. These tools are optimized for photomasks, but can be used in other applications.

- **Typical Recipe:** Spin Rinse, SPM (or KOH) + Scrub, DI Rinse, Spin Dry with Top N2
- **Custom Recipe:** Can be safely configured for your choice of cleaning chemistries

